

# HOW TO CALCULATE YOUR LUMBER LIST FOR A WOODEN DOCK SYSTEM

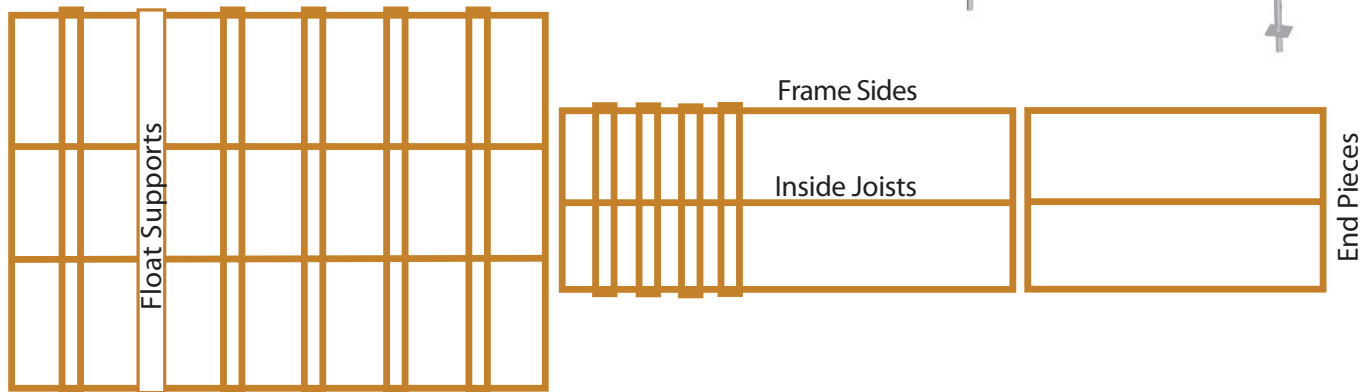
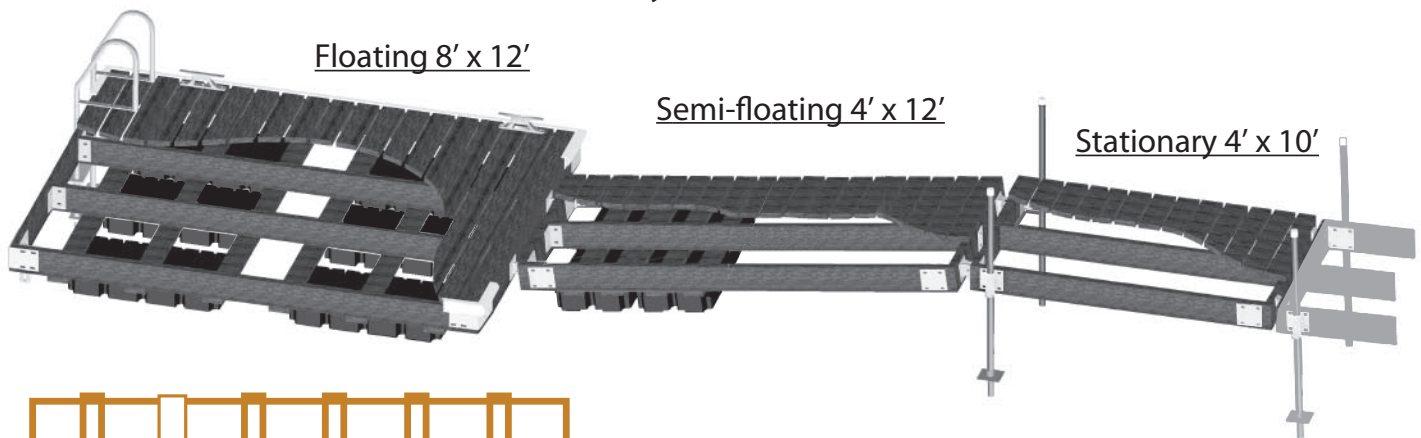
**ON ANY DOCK SIZE OR MODEL, THE FOLLOWING STEPS APPLY:**

1. Make YOUR "Layout Plan" in order to visualize all the material you will need to do the job (see the example below.)
2. If you want to change the sizes, just change the proposed lengths accordingly to the following chart.

Frame Sides	2" x 6" (or 8") x desired dock length
Inside Joists	2" x 6" (or 8") x dock length, minus 3 1/4"
End Pieces	2" x 6" (or 8") x dock width, minus 3 1/4"
Decking	2" x 6" x dock width
Float Supports	2" x 6" x dock width

3. For a floating dock system, look at the document "ANCHORING SUGGESTIONS", on our Web site under "HowTo Install" section, to get and install everything needed.

## "Layout Plan"



### **8' x 12' FLOATING**

### **4' x 12' SEMI-FLOATING**

### **4' X 10' STATIONARY**

Frame Sides	2" x 6" (or 8") x 144"      2	2" x 6" (or 8") x 144"      2	2" x 6" (or 8") x 120"      2
Inside Joists	2" x 6" (or 8") x 140 3/4"      2	2" x 6" (or 8") x 140 3/4"      1	2" x 6" (or 8") x 116 3/4"      1
End Pieces	2" x 6" (or 8") x 92 3/4"      2	2" x 6" (or 8") x 44 3/4"      2	2" x 6" (or 8") x 44 3/4"      2
Decking	2" x 6" x 96"      24	2" x 6" x 48"      24	2" x 6" x 48"      20
Float Supports	2" x 6" x 96"      6	2" x 6" x 48"      4	—      —
Wood Screws	# 10 (12 or 14) x 3"      256	# 10 (12 or 14) x 3"      180	# 10 (12 or 14) x 3"      132

**A well assembled dock system will bring you many years of enjoyment. Make sure to always use & wear the proper personal protection in order to work securely. Never use electrical tools near water...We want you safe & sound to enjoy your dock for a long time...**