

"HOW TO BUILD" a WOODEN DOCK in 4 STEPS

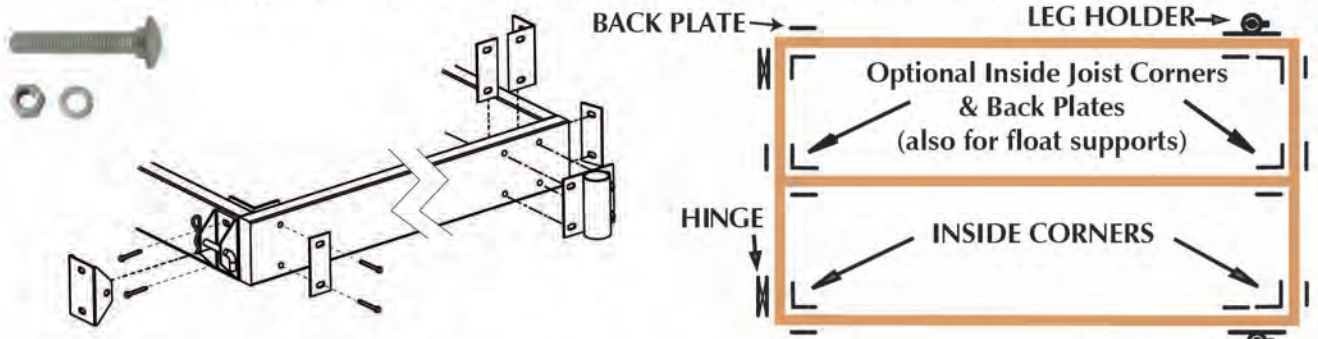


© copyright Multinautic 2005-2012

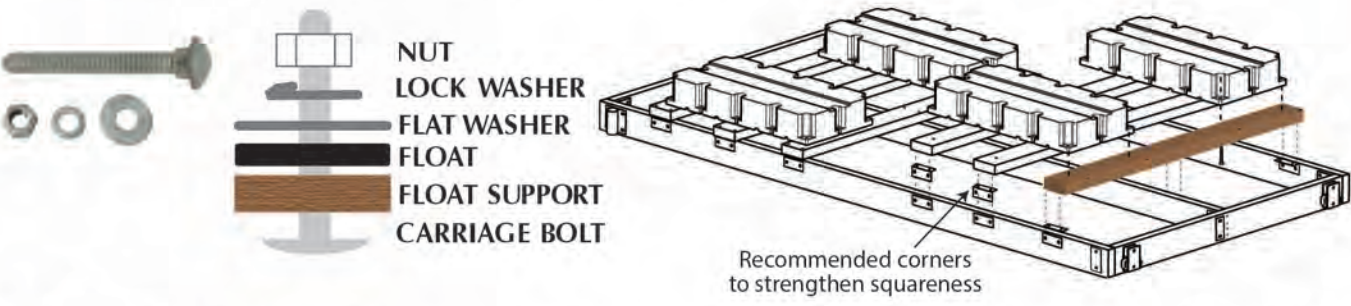
1 Mount the dock upside down on a flat surface in order to easily install floats. The boards need to be flush on the bottom side to install decking properly in last step. Lay down boards, best side out then screw together. The screws should not be aligned with holes you will make for hardware (A). Check squareness by measuring an "X" from corner to corner (+/- 1-8") (B). You can lock in position by screwing down a diagonal piece temporarily on the frame (C).



2 Starting with corners, align parts, mark holes with a pen, drill, then install hardware with bolts. Note that parts may vary from the drawing. For a stationary dock, go to Step 4-B.



3 For a floating dock section, spread 2" x 6" float supports and floats evenly on the frame (to evaluate where they will be installed). Mark the frame and supports (for bolts) accordingly. Remove floats and screw on the support boards. Bolt on floats to the supports.



4 A) Before installing the decking, you will need help to flip the structure over to avoid any back injuries. Carefully flip the structure top side up.
B) Confirm squareness again. Lay down, space and screw on decking planks along each side and inside joists.



These technical drawings, illustrations and /or information are not to be substituted, in whole or in part, for certified engineered drawings and are intended as general guidelines only. Please refer to "Important information and disclaimer of liability" section.

