



**ASSEMBLY INSTRUCTIONS
for ALUMINUM LADDERS:**

- #15012
- #15013
- #15094

1 Install steps with #8 x 2" square head screws
(See WARNING below)

2 Install "J" hooks with #10 x 1 ½" bolts & nuts

3 Place ladder on dock and screw in footman loop with #8 x 2½" brown screws.

It is highly recommended to add one or two 1 ½" thick piece of wood under the decking to assure a strong hold of the 2 ½" screws. If you cannot access the underneath of the dock, try gently retrieving decking planks to insert the strengthener(s).

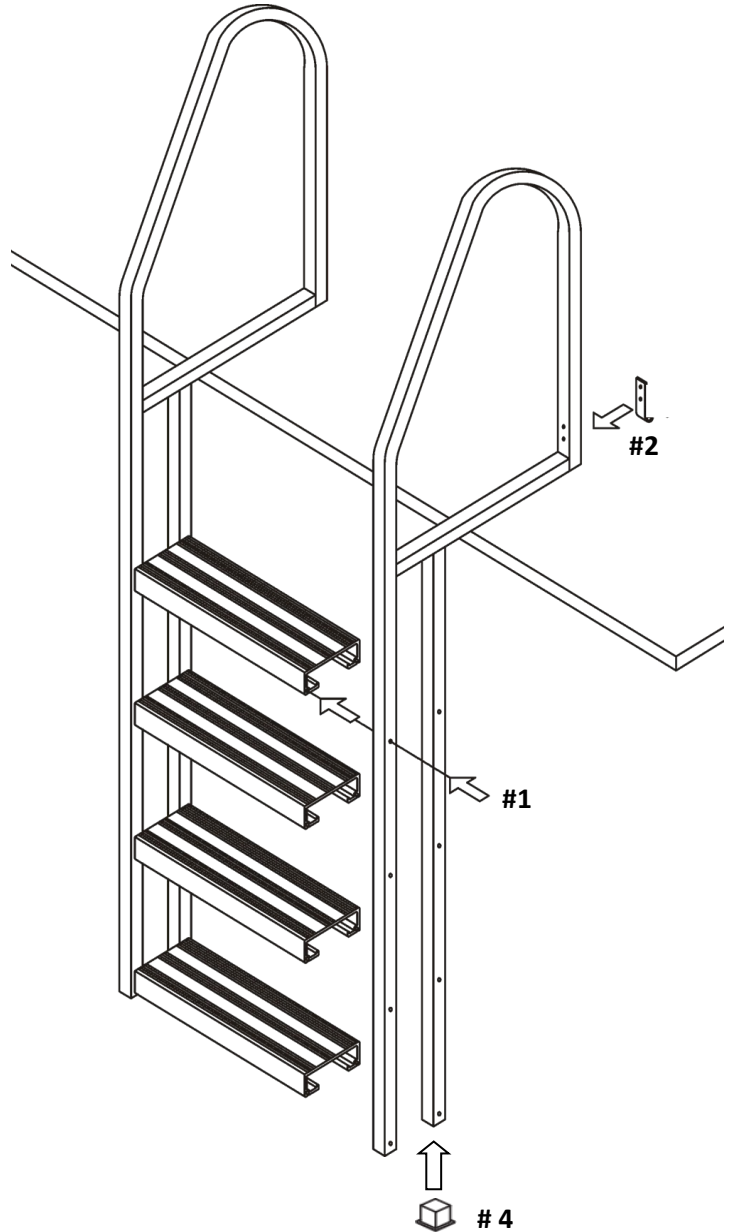
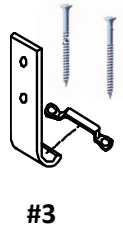
4 Install plastic caps if they are not inserted in the straights yet.

INCLUDED HARDWARE

- 2x "J" Hooks
- 2x Footman Loops x2
- 4x #10 x 1 ½" Stainless Steel Bolts & Nuts
- 4x #8 x 2 ½" Brown Screws
- 4x Plastic Caps

#8 x 2" Robertson #2 Stainless Steel Screws:

- 12x** for **3** steps ←
- 16x** for **4** steps ←
- 20x** for **5** steps ←



<p>Should you encounter any problems with this product, do not return it to the store. Please contact Multinautic's Customer Service at 1-800-585-1237, toll-free</p>	<p style="text-align: center;"><u>WARNING !</u></p> <p>When installing the steps, you should start by the one at the top of the ladder. If the alignment is not perfect, <u>GENTLY</u> align the hole with the screw and tight <u>lightly</u>. You have to install all the steps prior finishing tightening.</p> <p style="text-align: center;"><u>"DO NOT OVERTIGHT"</u></p>
---	---