



## ALUMINUM LADDER ASSEMBLY STEPS

# 15520

# 15521

# 15522

# 1 Install the steps with the #8 x 2" screws starting with the top step and tighten very lightly (see note at the bottom of the page).

# 2 Install the "J" hooks with 2 of the #10 x 1 ½" bolts and nuts in the top holes. Install the second bolts by inserting the nuts inside the tube with a 3/8" wrench.

# 3 It is strongly recommended to screw one or two 1 ½" thick pieces of wood under the decking to ensure a solid grip on the 4 screws of 2 ½". If you cannot access the underside of the dock, you can carefully remove a few planks from the decking to install these reinforcements. Place the ladder on the dock, place the retaining loops in the "J" hooks and screw them to the dock using the brown #8 x 2 ½" screws.

# 4 Install the plastic end caps if not already inserted in the uprights.

### INCLUDED MATERIAL

#8 x 2" stainless steel screws (square #2):

12x for 3 steps ←

16x for 4 steps ←

20x for 5 steps ←

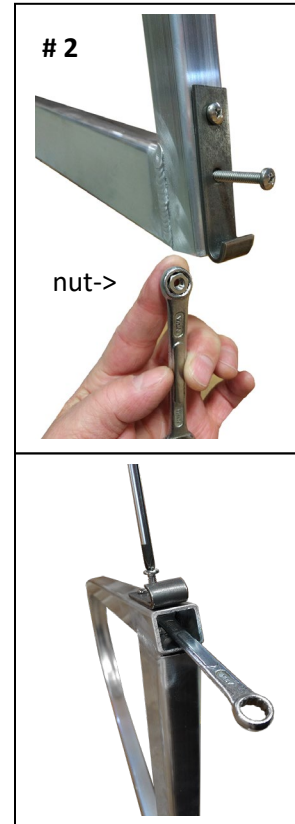
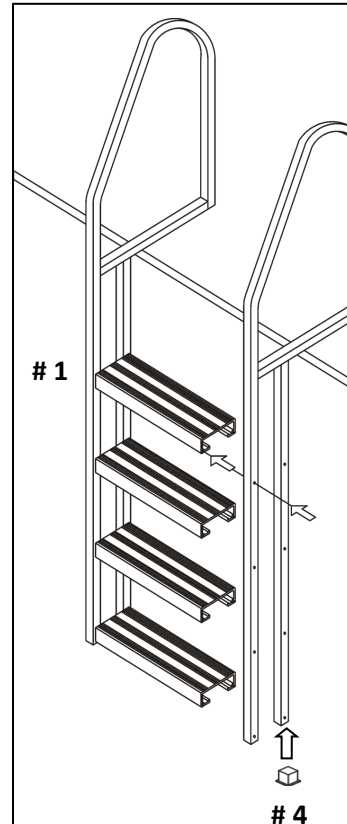
2x "J" Hooks

2x Retaining loops (footman loops)

4x #10 x 1 ½" stainless steel bolts & nuts

4x #8 x 2 ½" brown screws

4x Plastic caps



Should you encounter any issue with this product, don't return it to the store. Please contact toll-free Multinautic's Customer Service at **1-800-585-1237**

**WARNING !**  
When installing the steps, you must start with the TOP one. However, if the alignment is not exact, GENTLY align the ladder upright with the screw and lightly tighten. You must install all steps and then finish tightening.

**"DO NOT OVERTIGHTEN"**